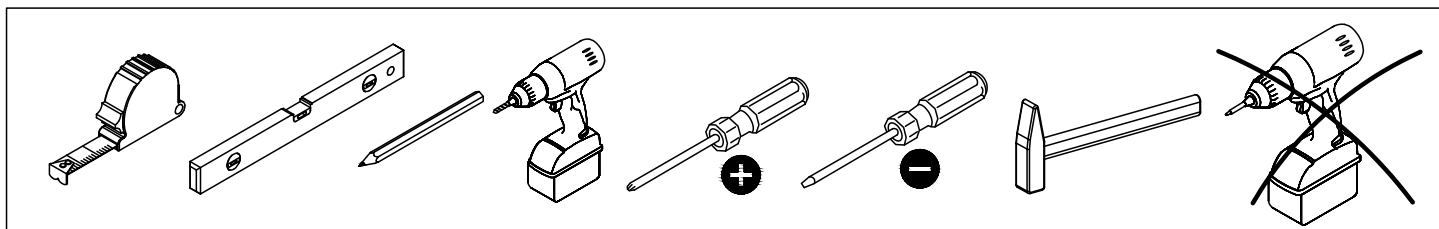
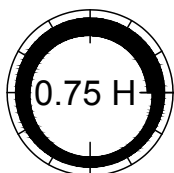
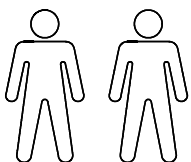
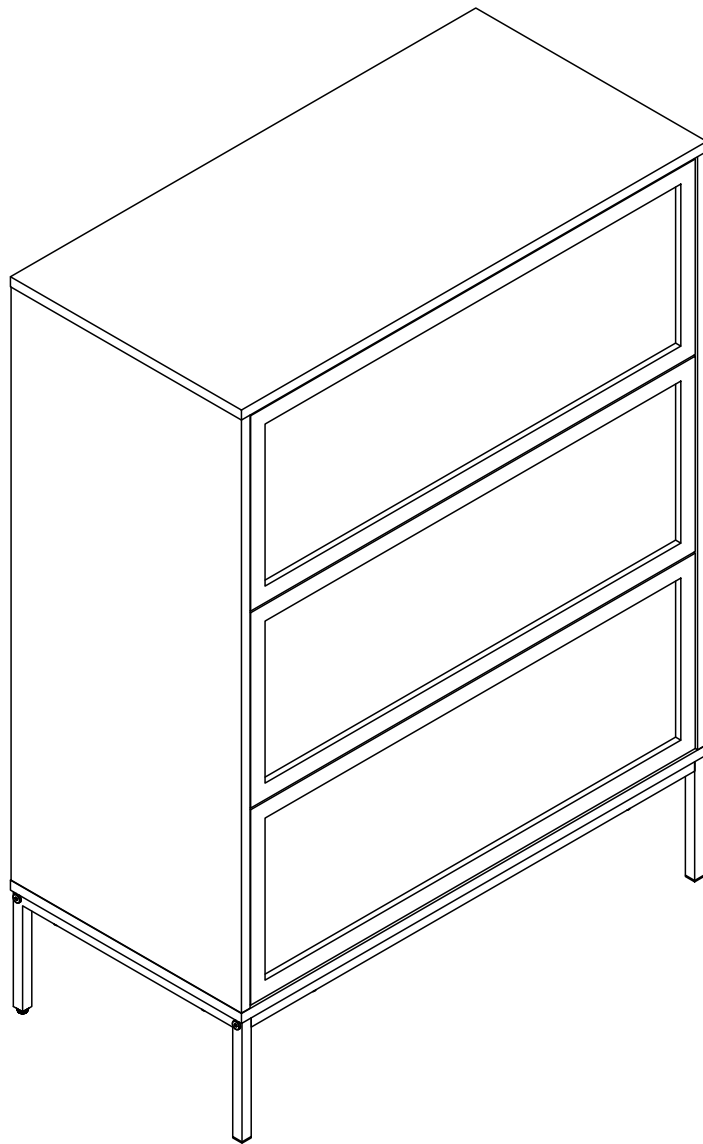
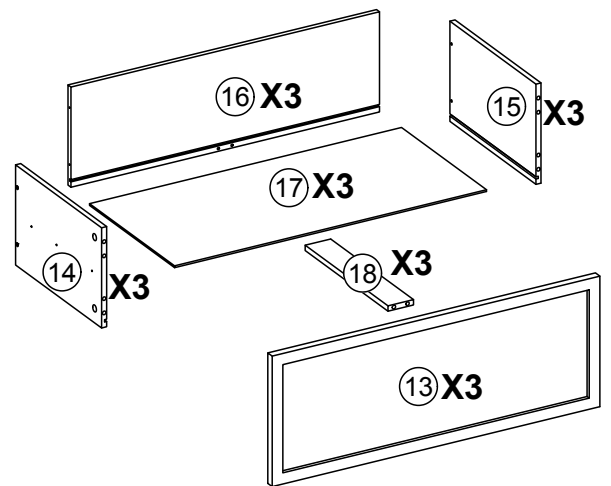
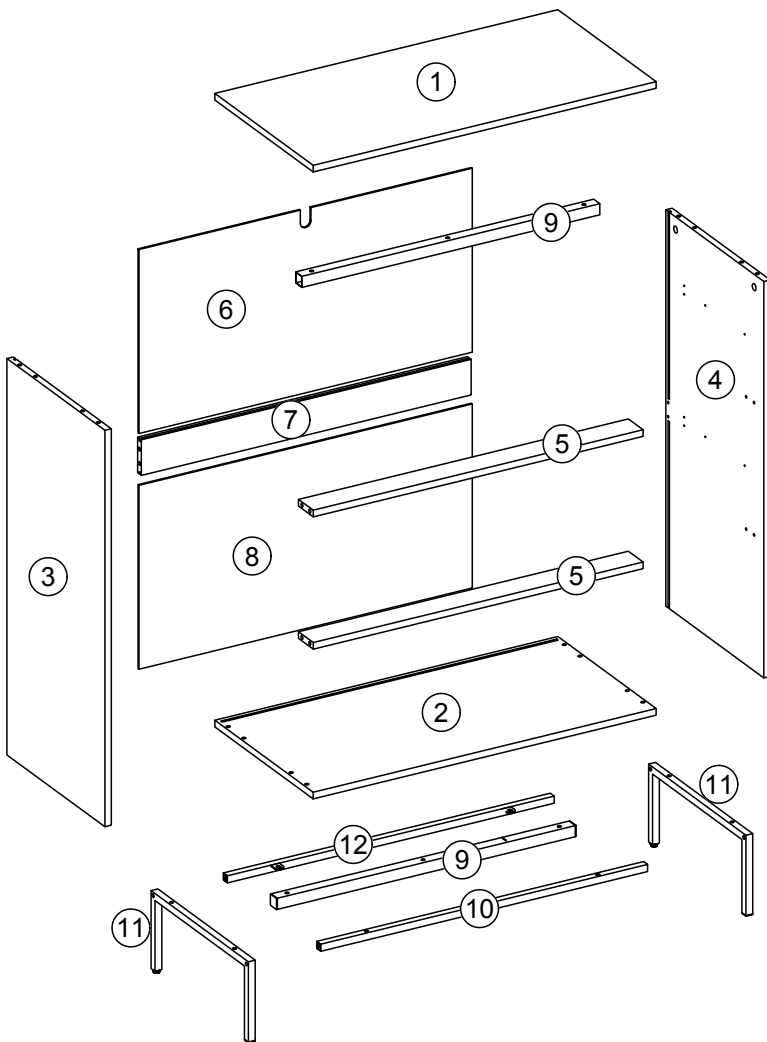


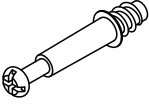
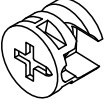
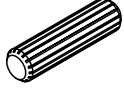


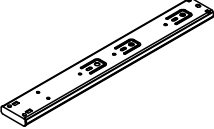

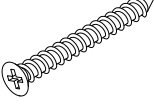
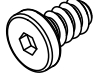
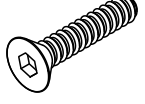
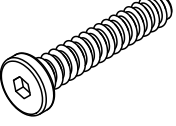
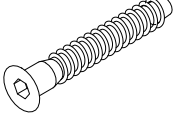
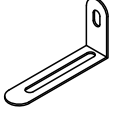
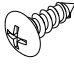
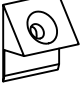
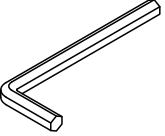
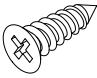
PALMDALE



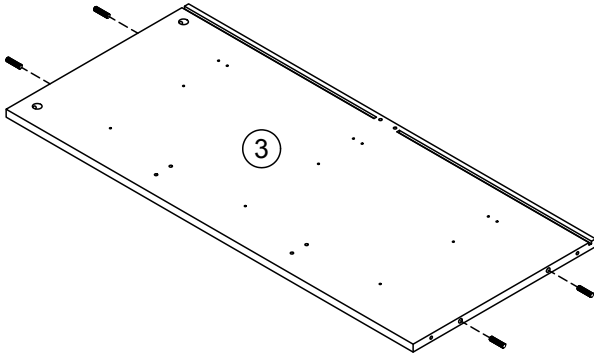
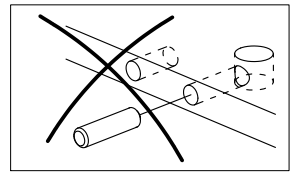
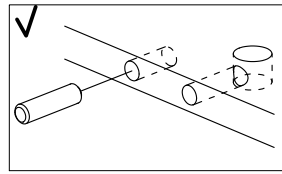
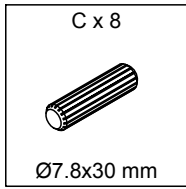
			✓
①	1	806x400x15	
②	1	806x400x15	
③	1	890x399x15	
④	1	890x399x15	
⑤	2	775x60x15	
⑥	1	783x413x4	
⑦	1	775x80x15	
⑧	1	783x413x4	
⑨	2	704x25x25	

			✓
⑩	1	768x16x16	
⑪	12	396x182x16	
⑫	1	768x41x16	
⑬	3	770x293x18	
⑭	3	350x225x12	
⑮	3	350x225x12	
⑯	3	725x225x12	
⑰	3	733x346x4	
⑱	3	337x60x12	

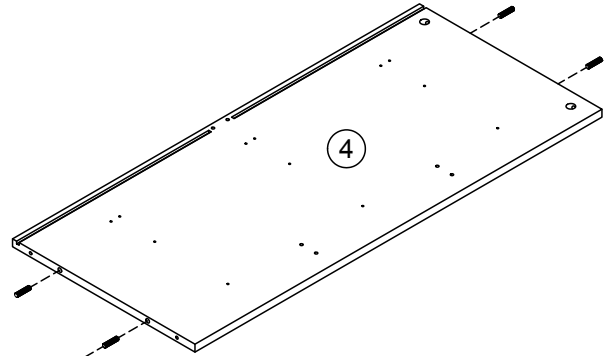


<p>A x 34</p>  <p>Ø6x35 mm</p>	<p>B x 16</p>  <p>Ø15x12 mm</p>	<p>C x 20</p>  <p>Ø7.8x30 mm</p>	<p>D x 18</p>  <p>Ø15x9 mm</p>	<p>E x 42</p>  <p>Ø3.5x12 mm</p>
<p>F x 6</p>  <p>350 mm</p>	<p>G x 12</p>  <p>Ø20 mm</p>	<p>H x 18</p>  <p>Ø3.5x35 mm</p>	<p>J x 2</p>  <p>M6x12 mm</p>	<p>K x 10</p>  <p>M6x28 mm</p>
<p>L x 6</p>  <p>M6x35 mm</p>	<p>M x 4</p>  <p>Ø7x48 mm</p>	<p>N x 1</p>  <p>75x25x15 mm</p>	<p>P x 2</p>  <p>Ø4x14 mm</p>	<p>Q x 8</p>  <p>15x14x10 mm</p>
<p>R x 1</p>  <p>4 mm</p>	<p>S x 8</p>  <p>Ø3.5x14 mm</p>			

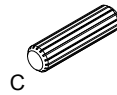
1



3

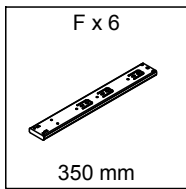


4

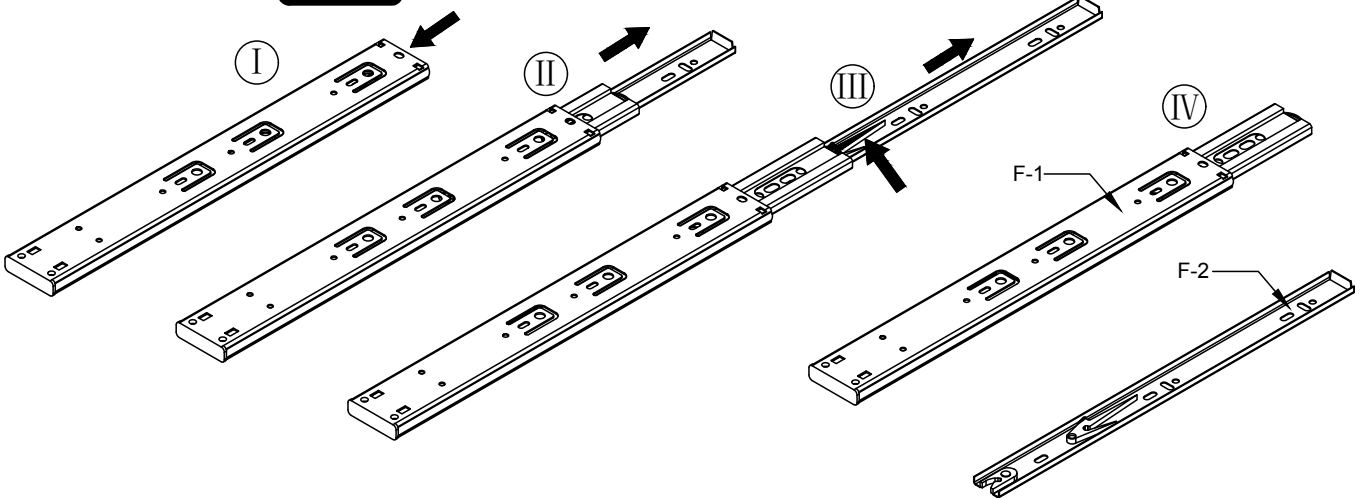


C


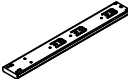
2

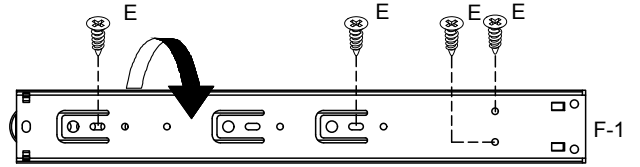
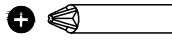






$F = F1 + F2$

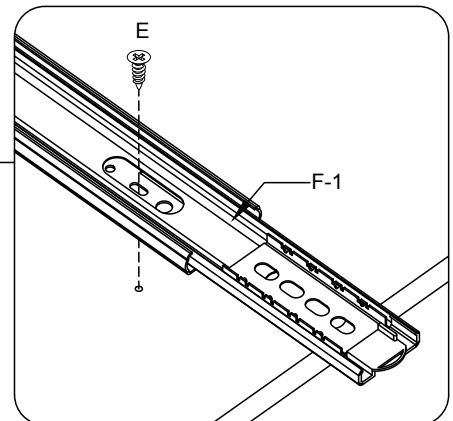
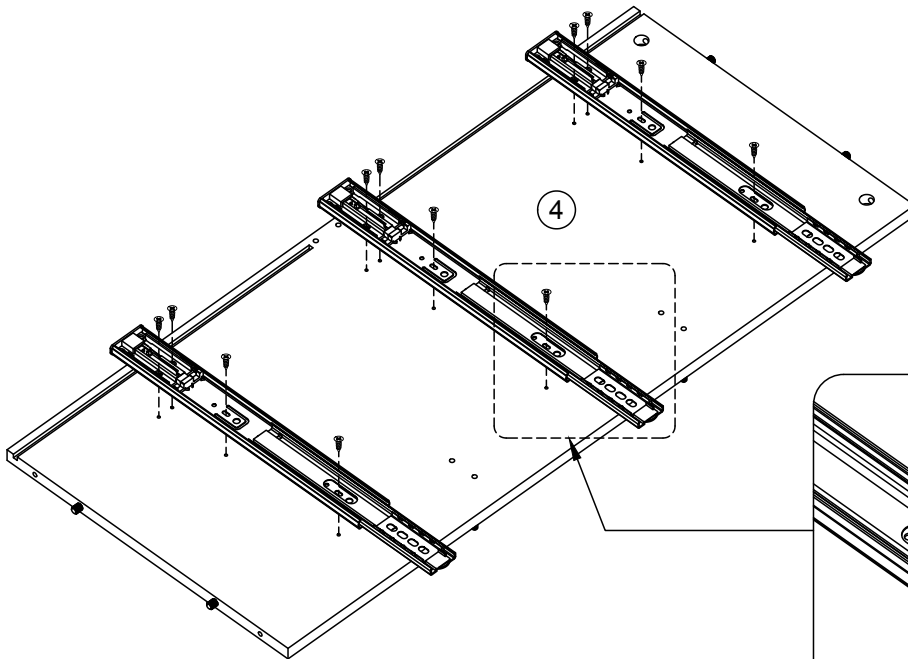
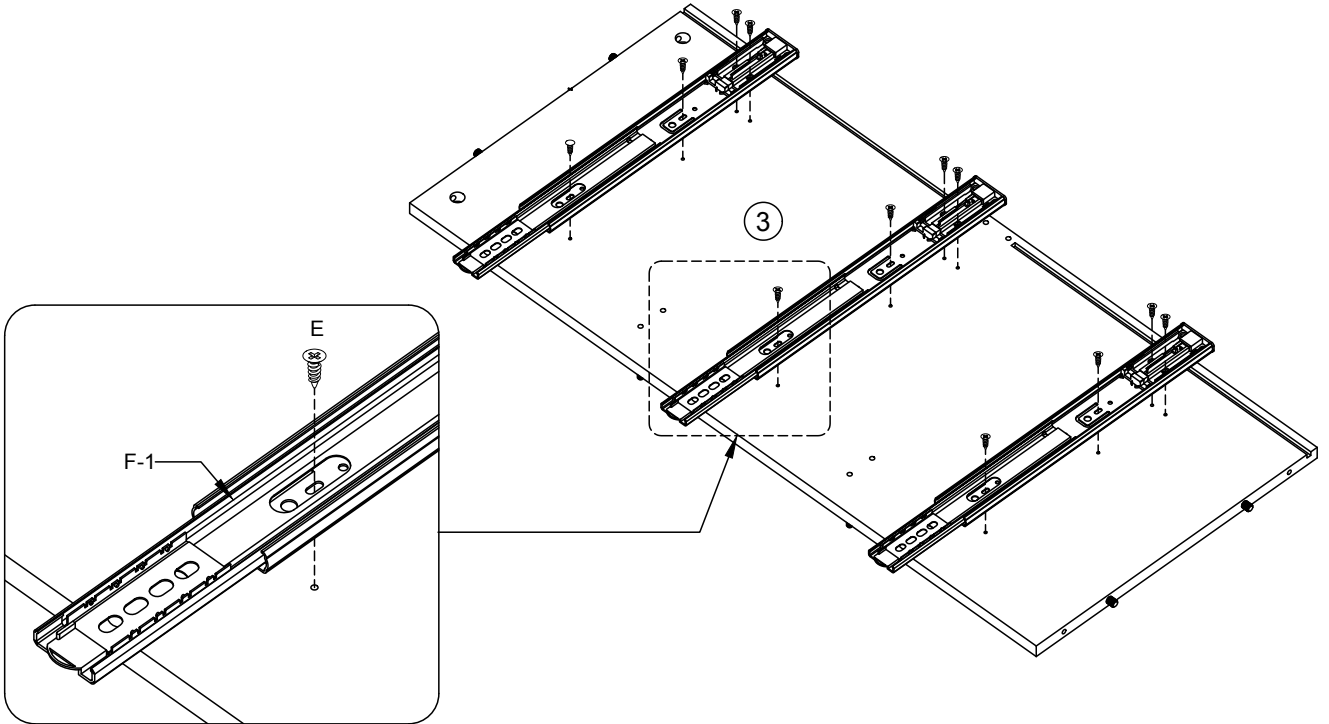


3

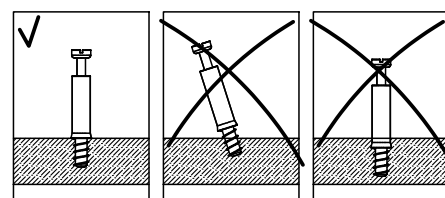
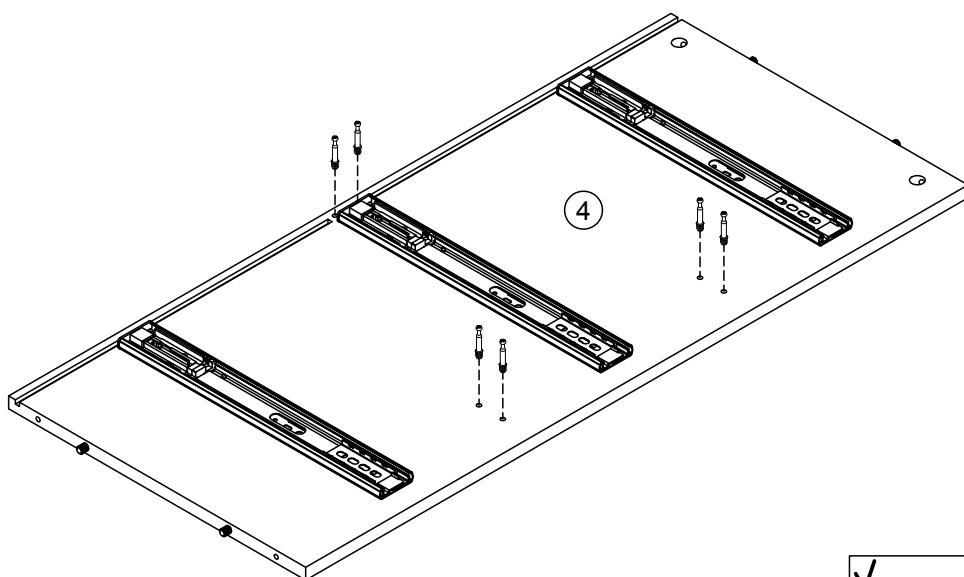
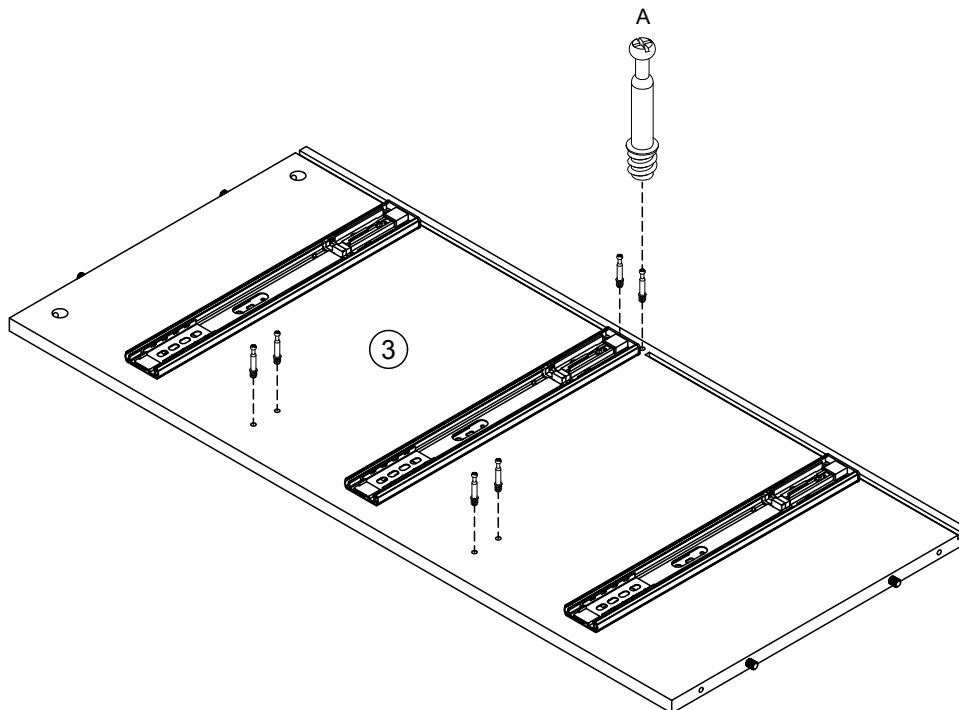
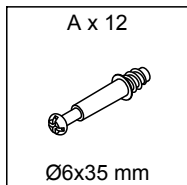
E x 24  Ø3.5x12 mm	F-1 x 6  350 mm
---	--



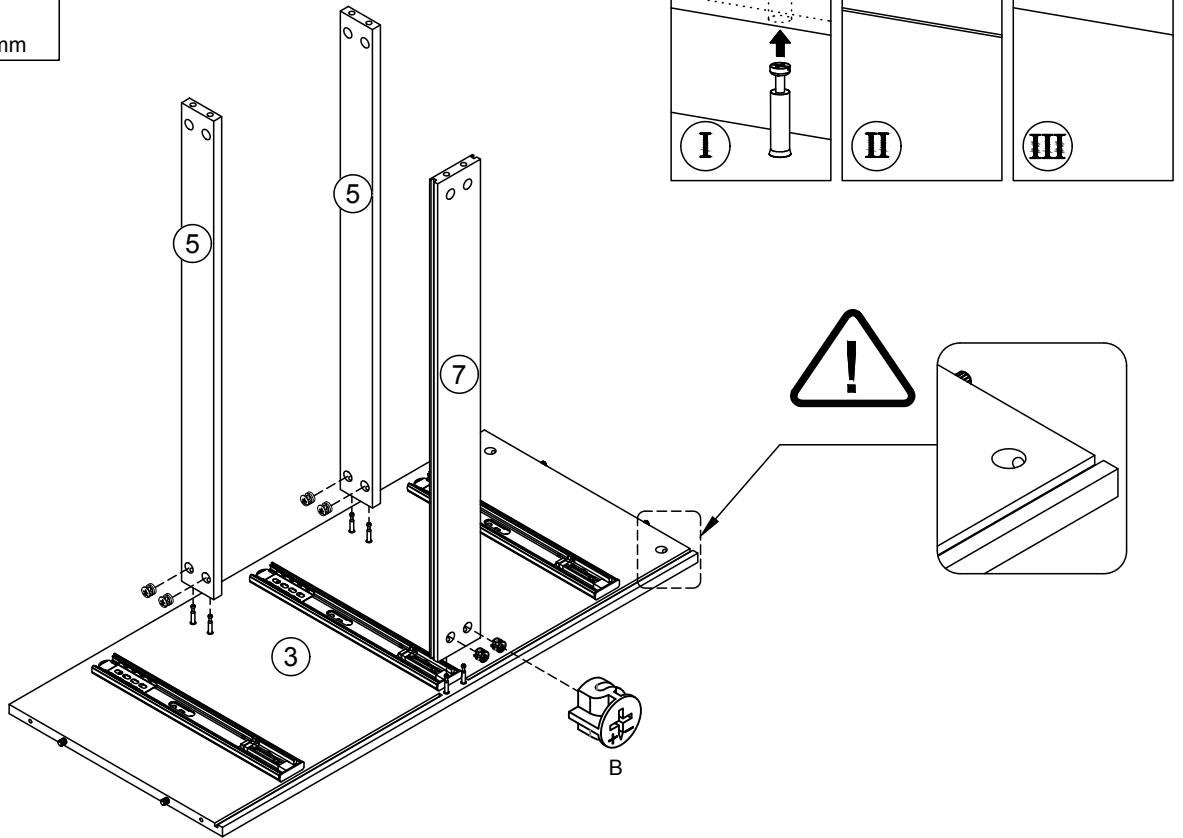
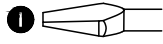
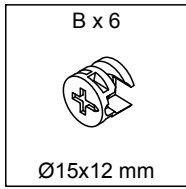
	E  Ø3.5x12 mm	P  Ø4x14mm	S  Ø3.5x14mm
---	--	---	---



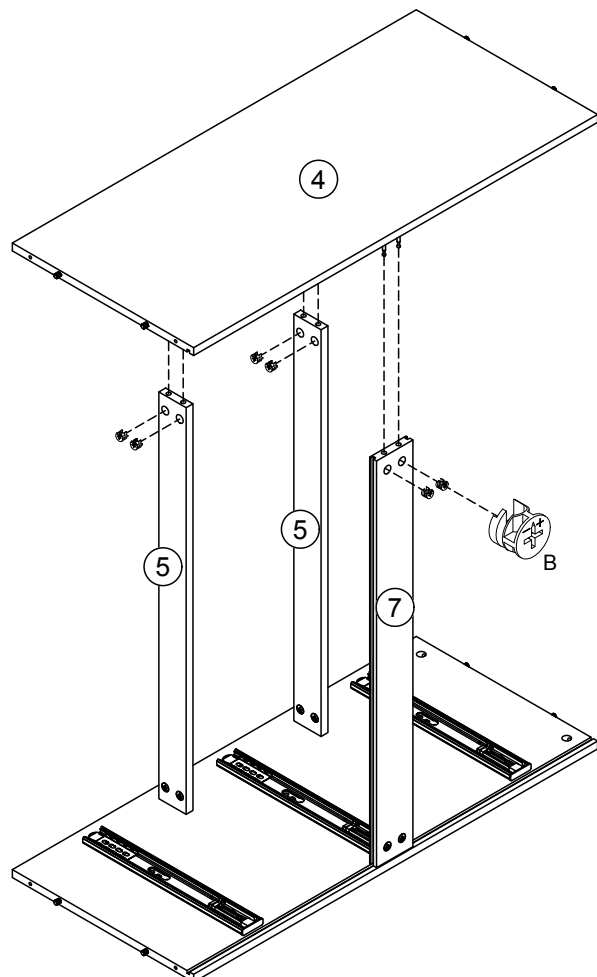
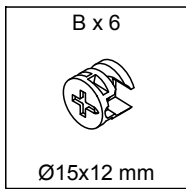
4



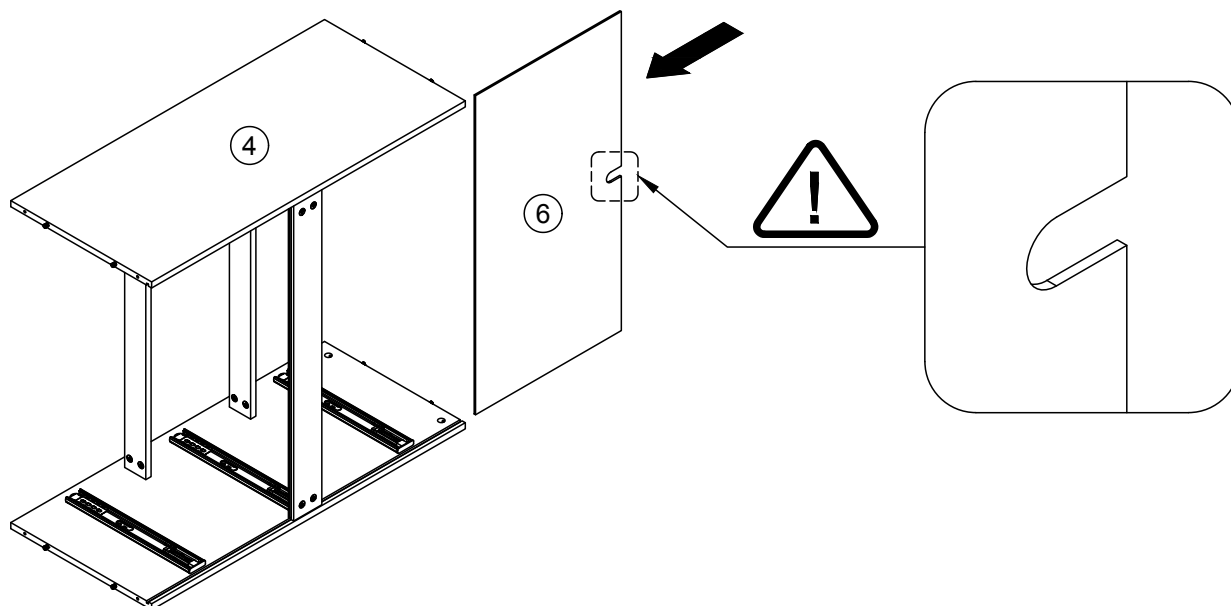
5



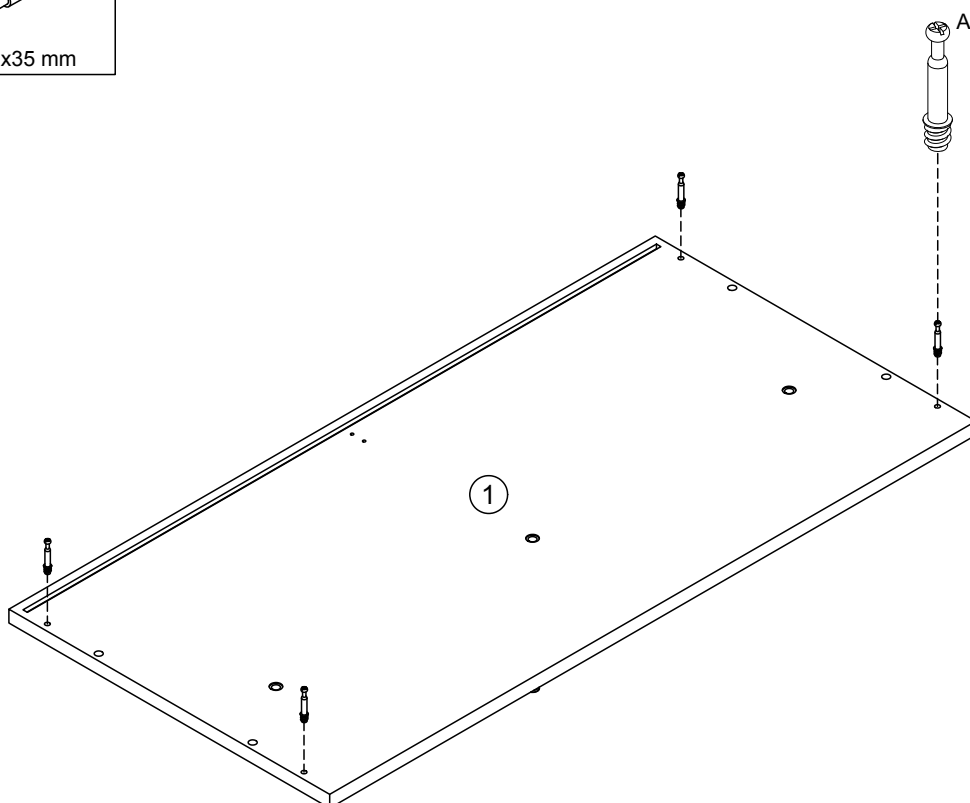
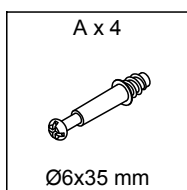
6



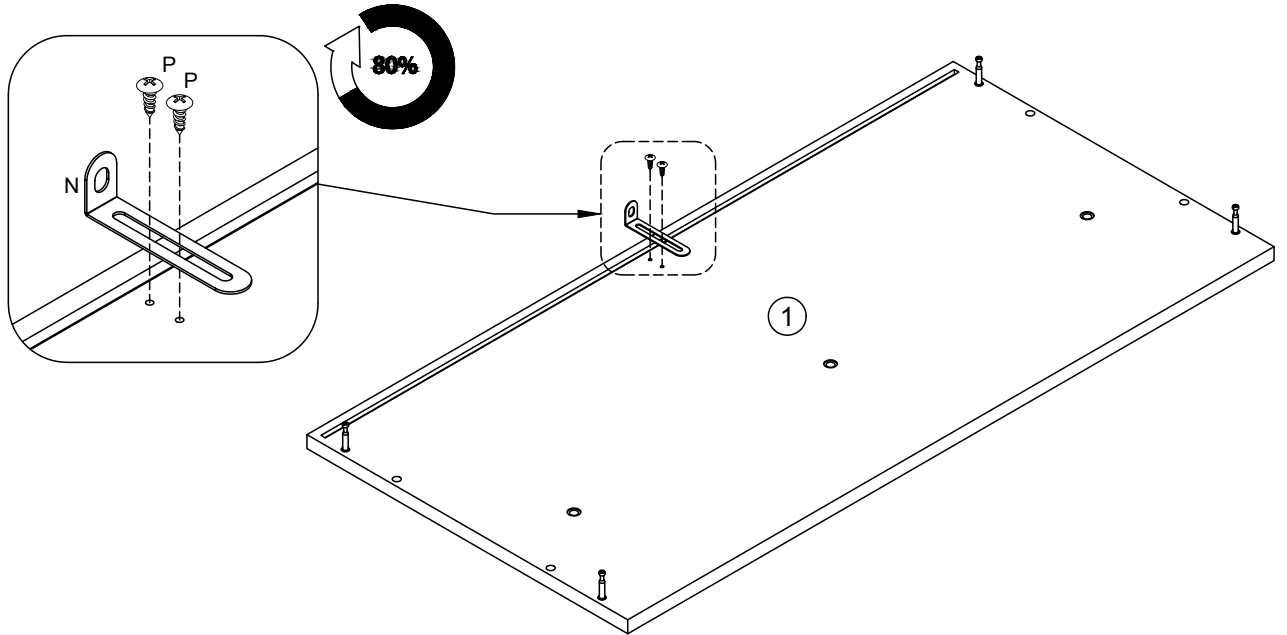
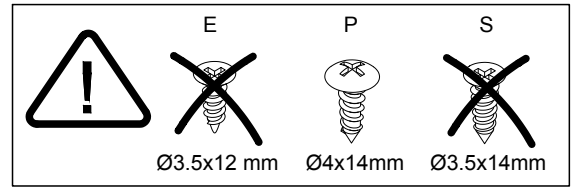
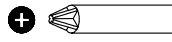
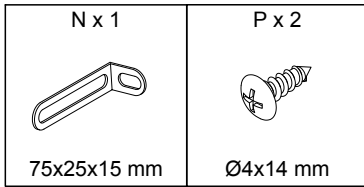
7



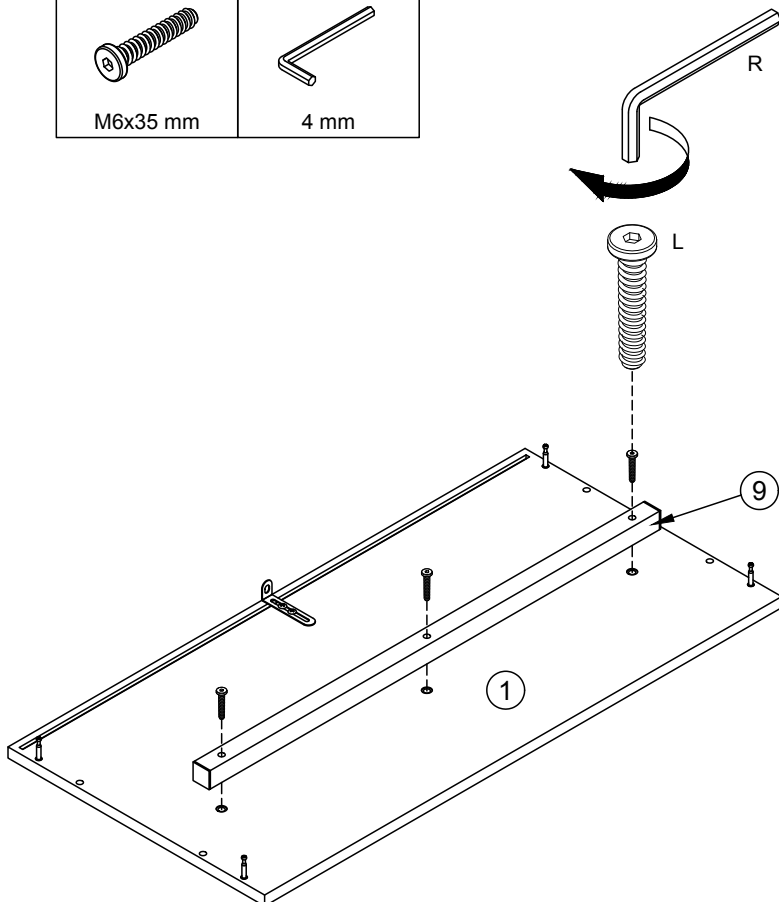
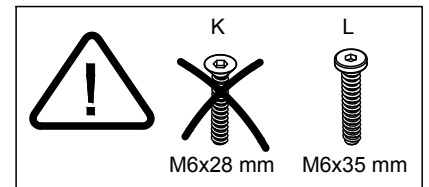
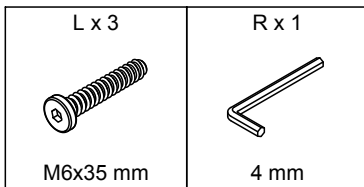
8



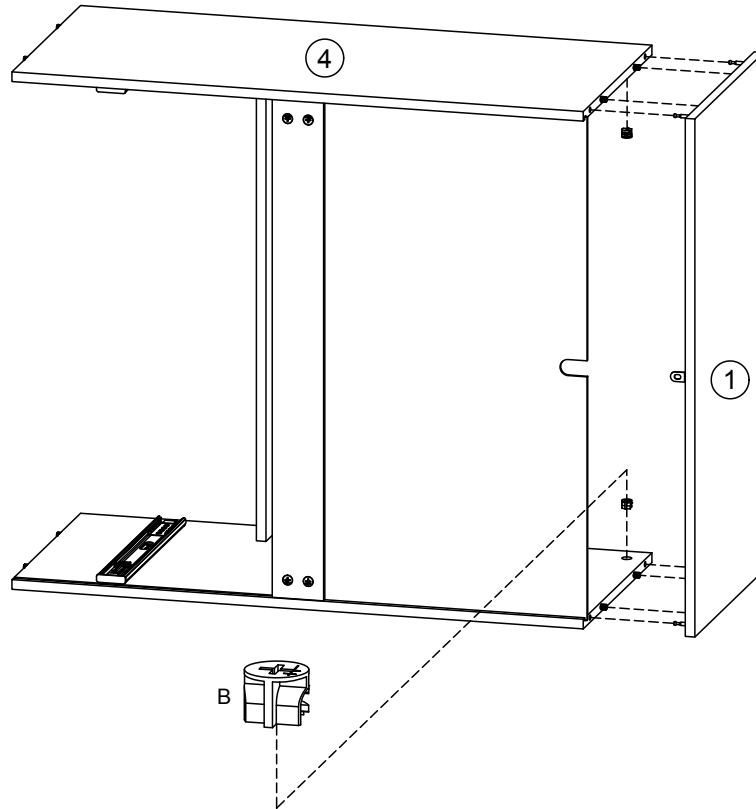
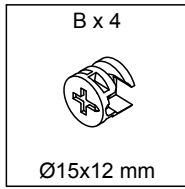
9



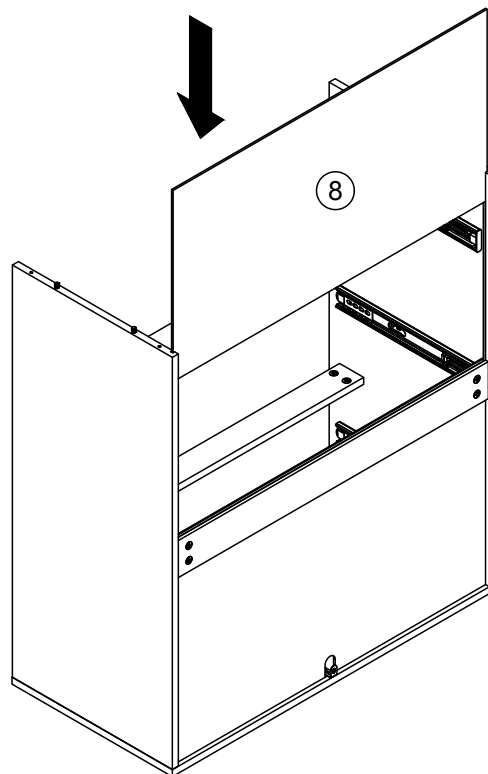
10



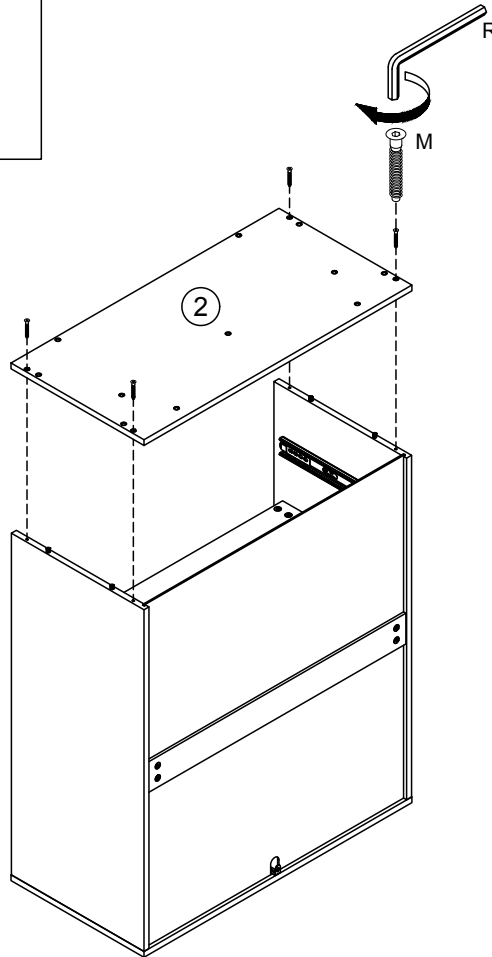
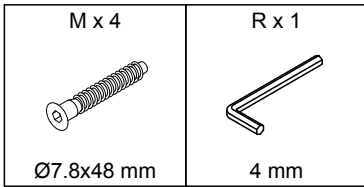
11



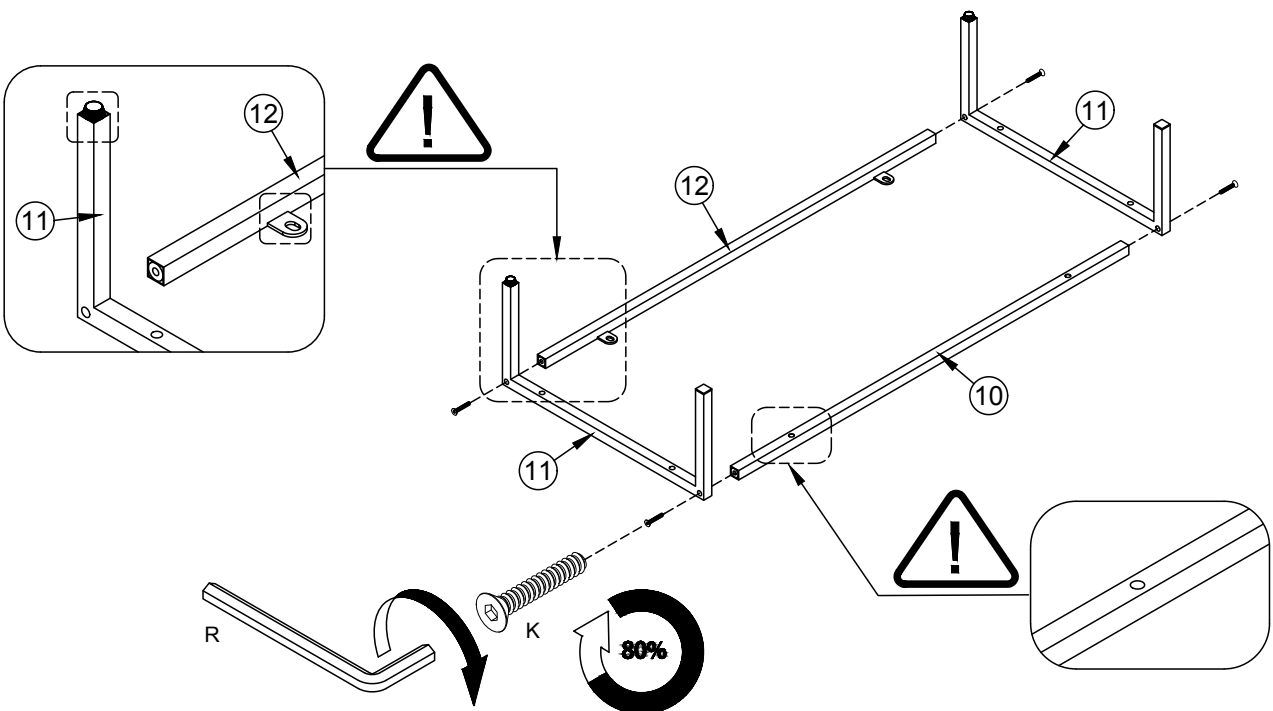
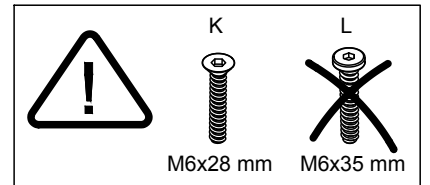
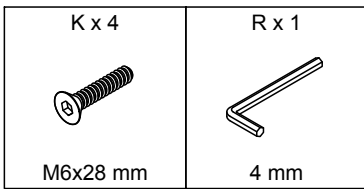
12





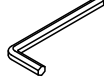
13

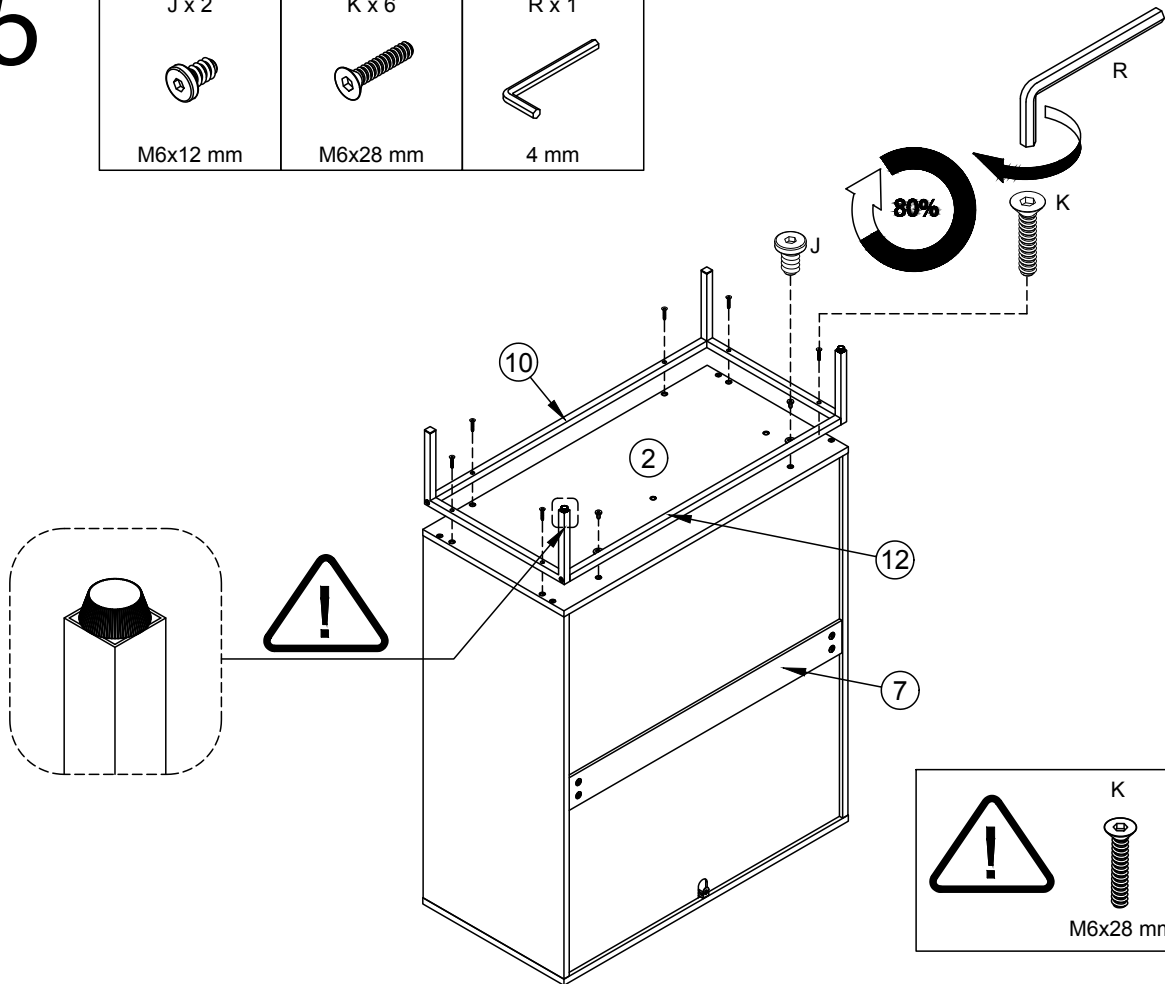


14


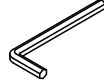


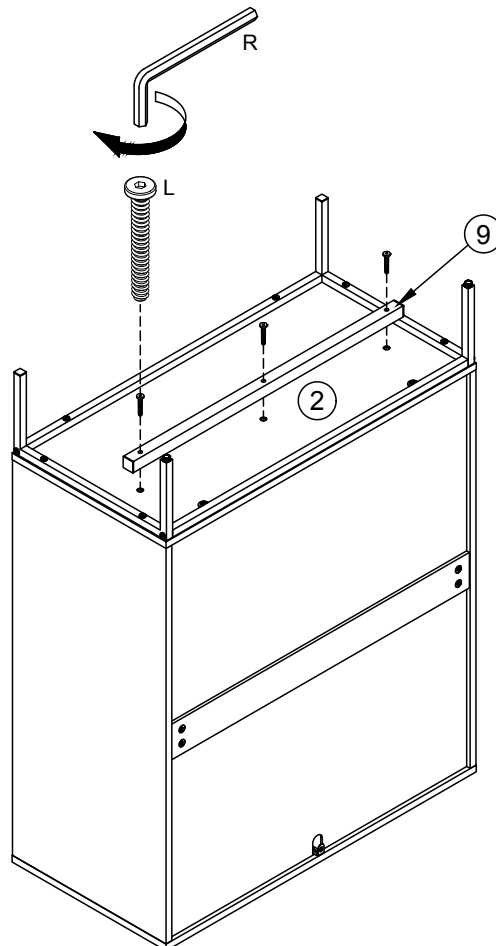
15

J x 2  M6x12 mm	K x 6  M6x28 mm	R x 1  4 mm
--	--	--

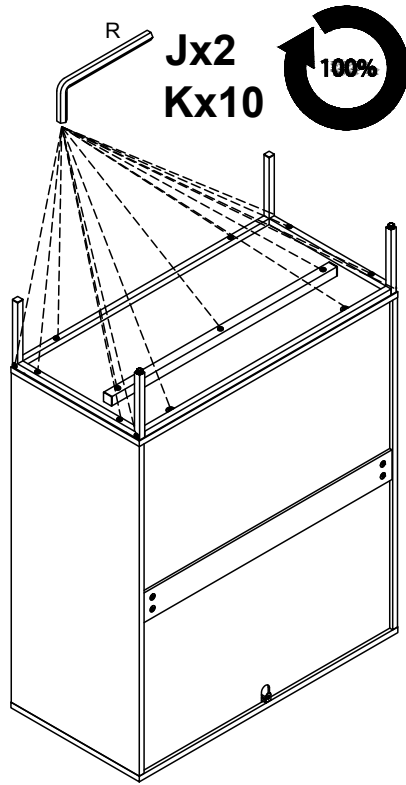
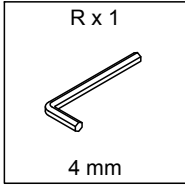


16

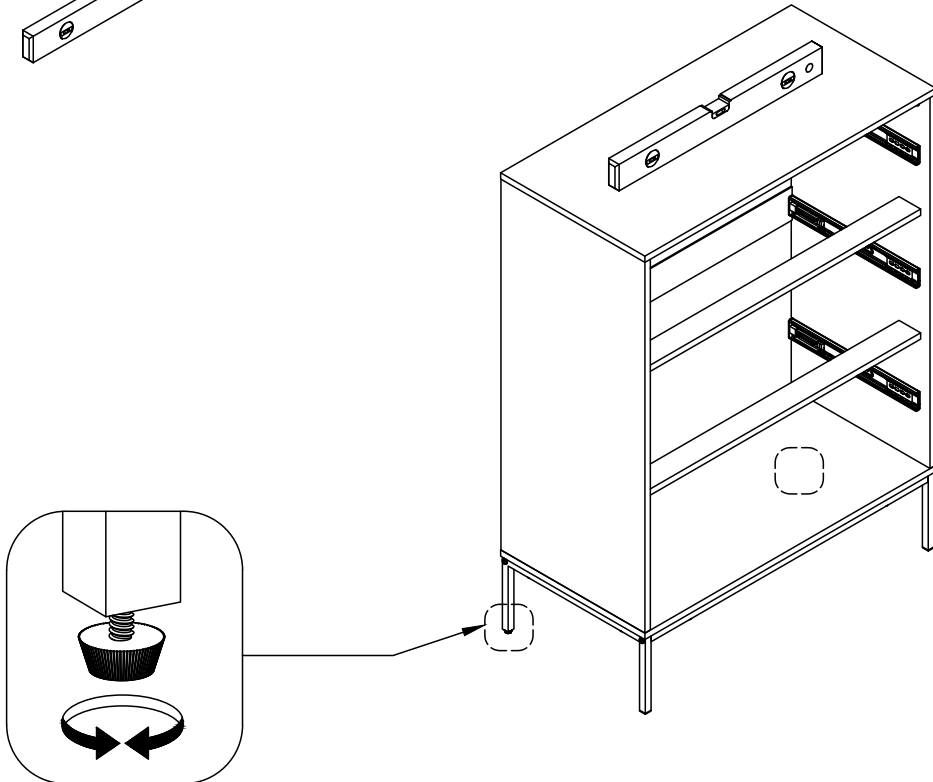
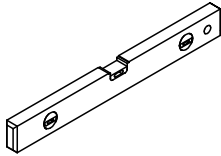
L x 3  M6x35 mm	R x 1  4 mm
--	--



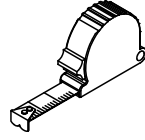
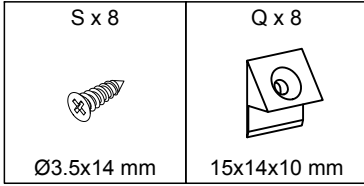
17



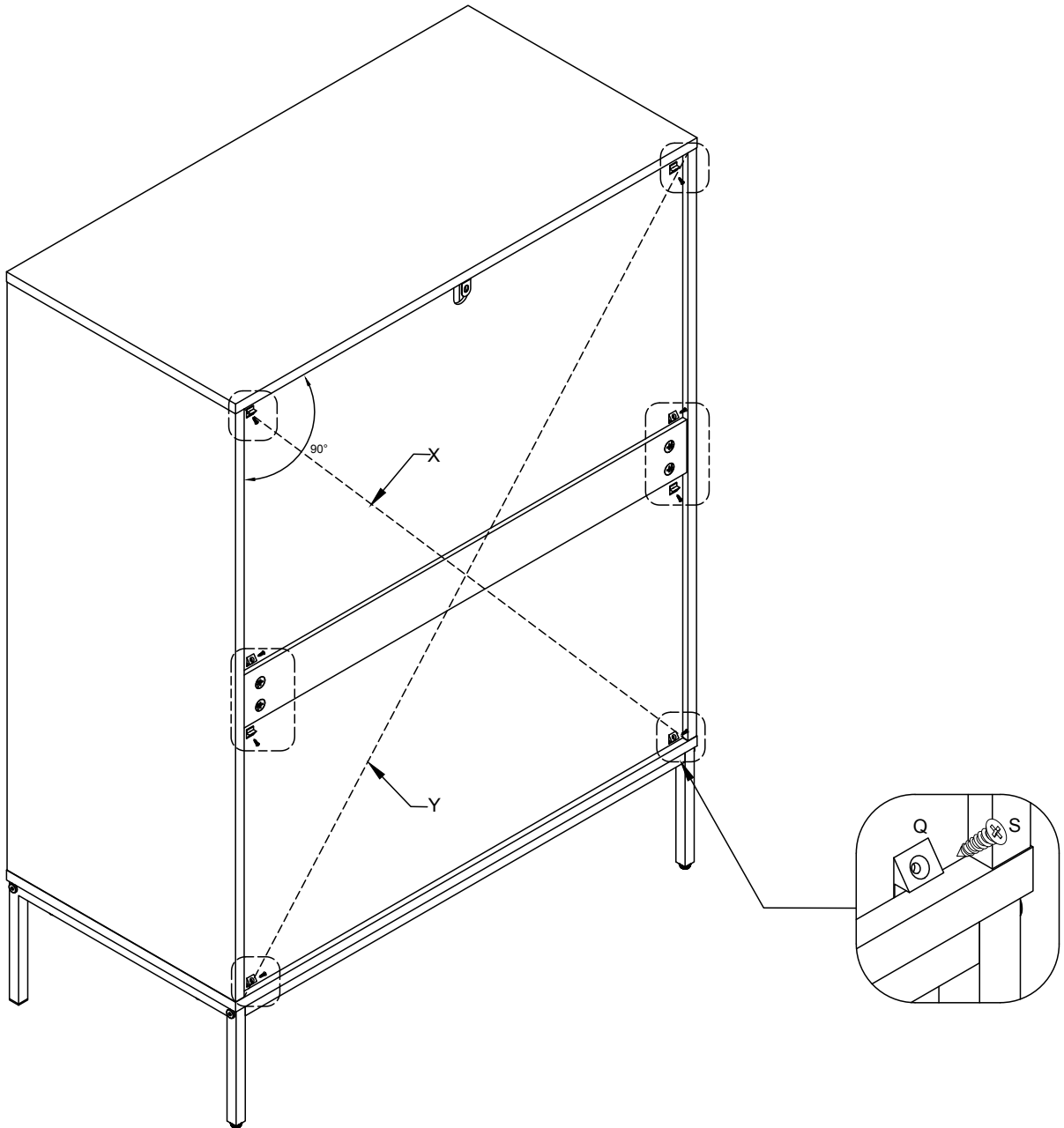
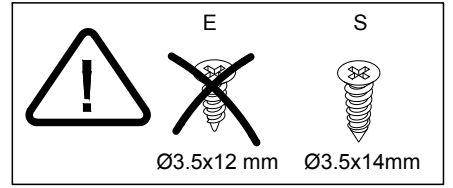
18



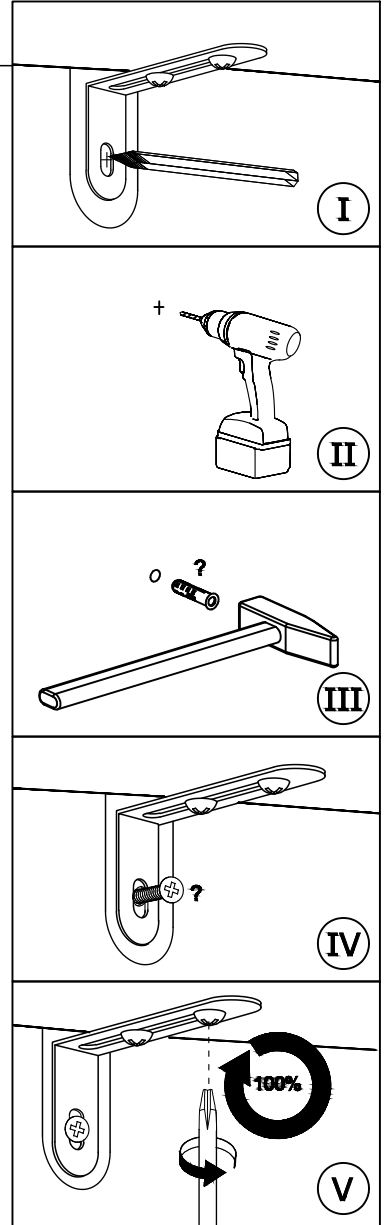
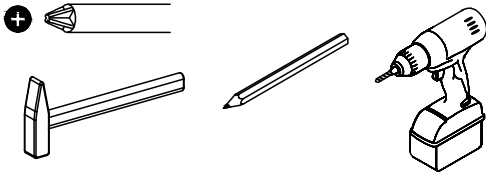
19



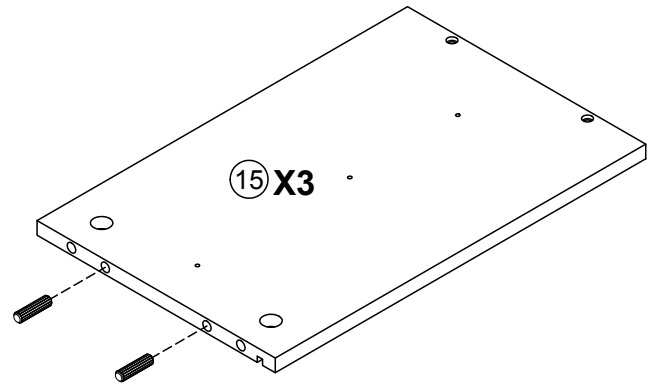
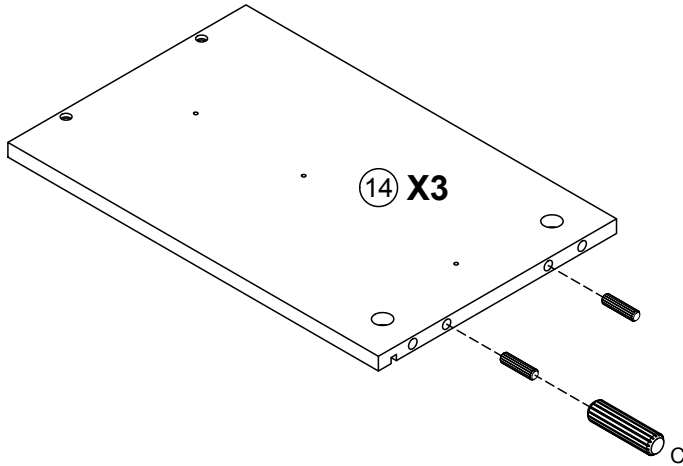
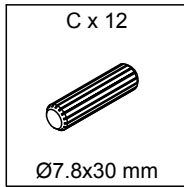
X=Y



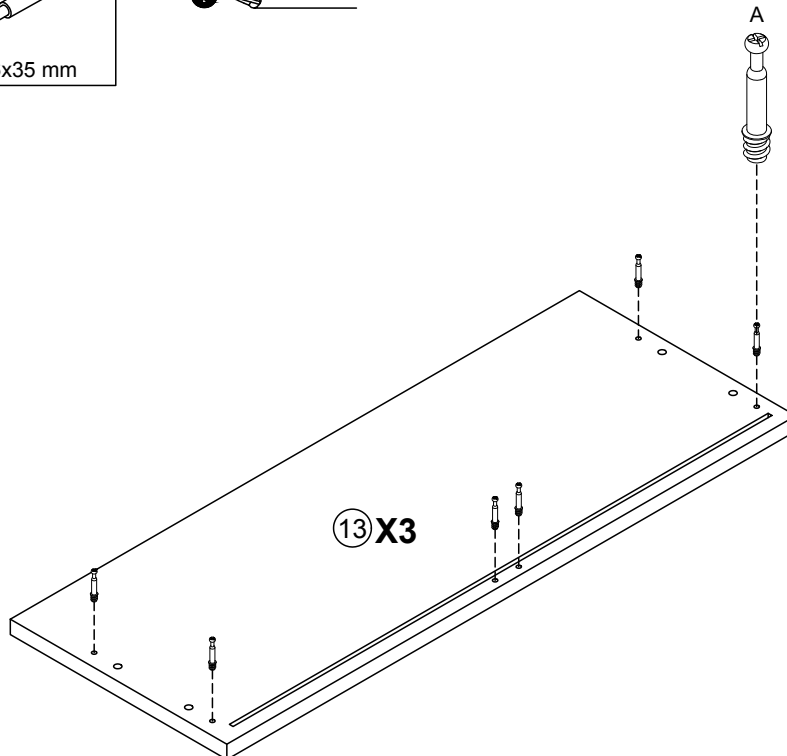
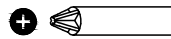
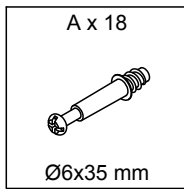
20



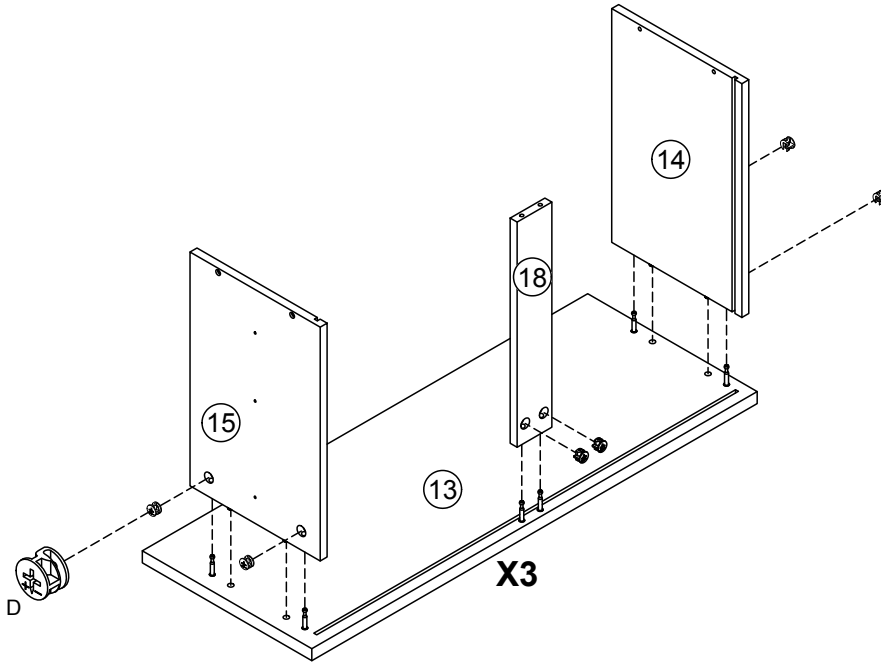
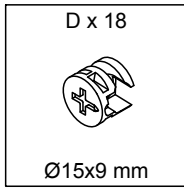
21



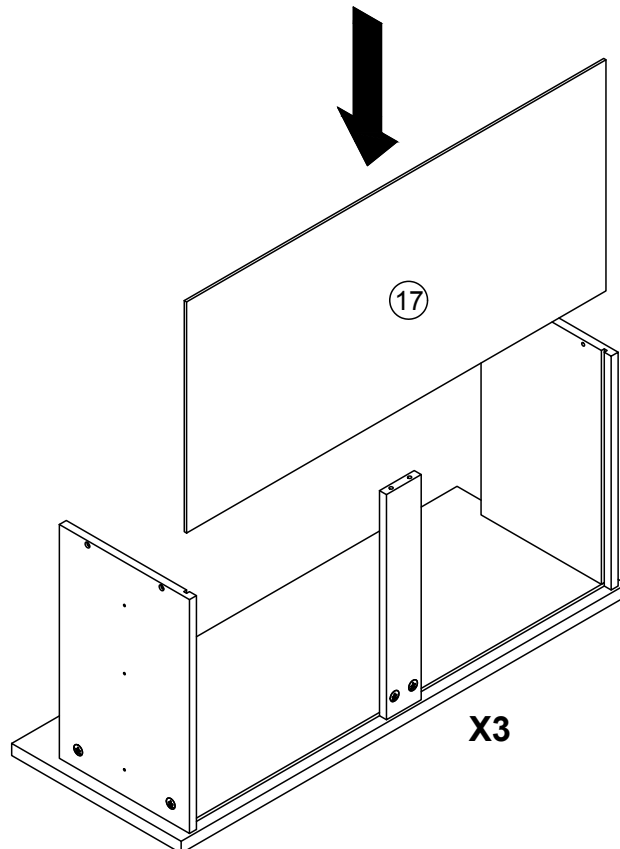
22



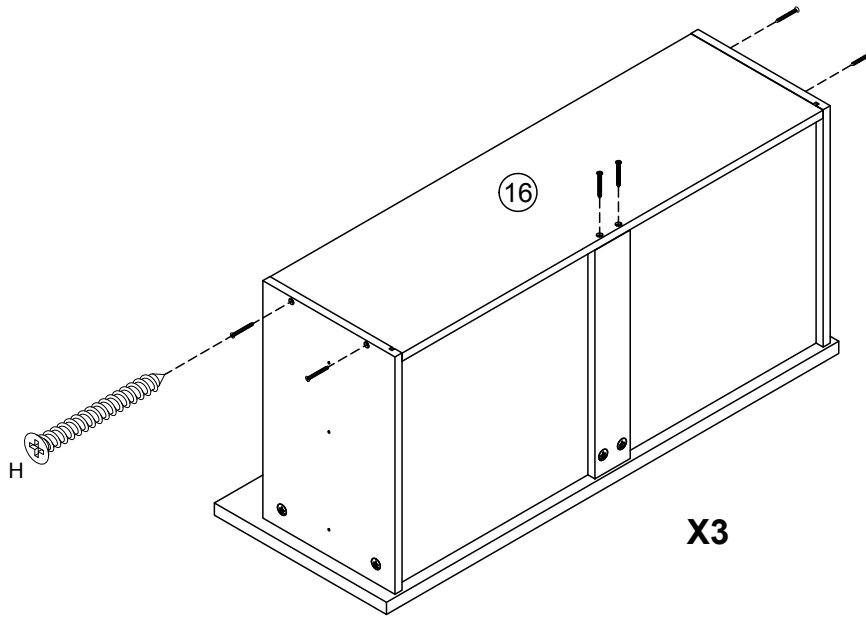
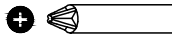
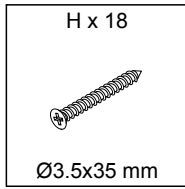
23



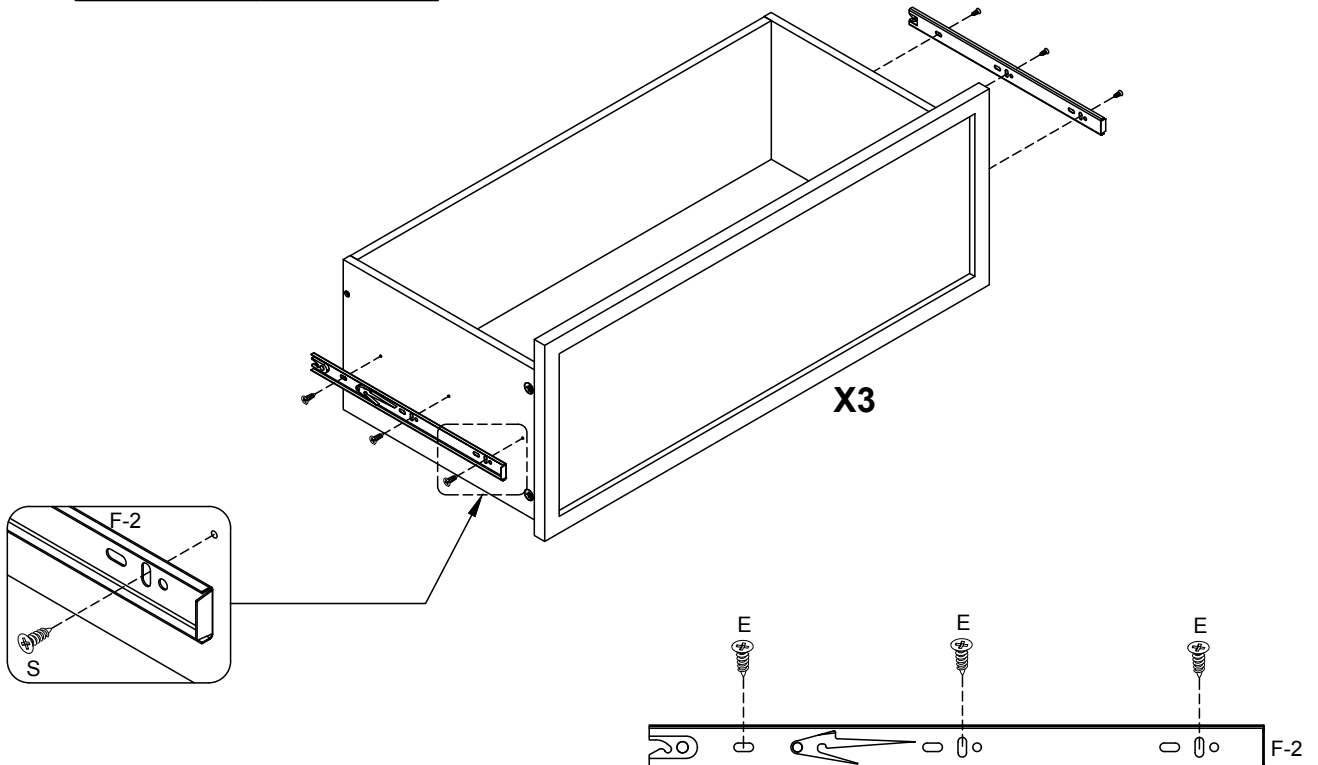
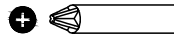
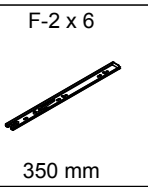
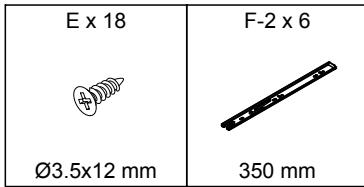
24



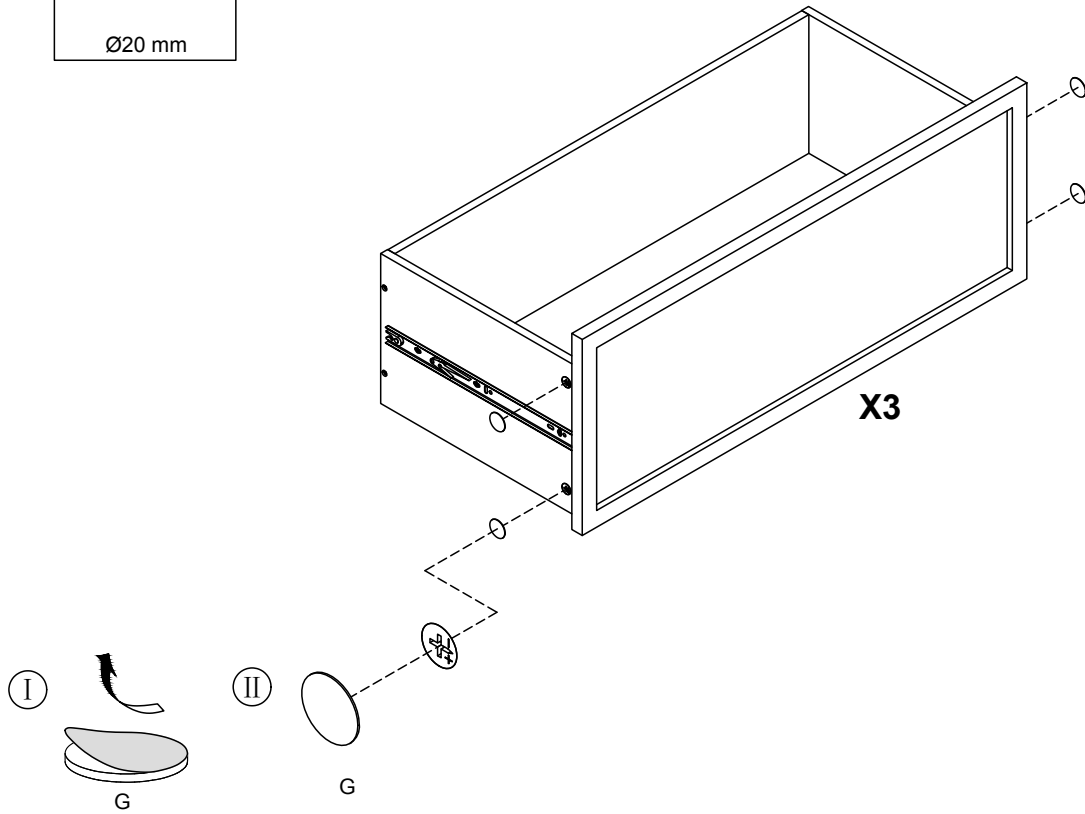
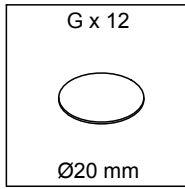
25



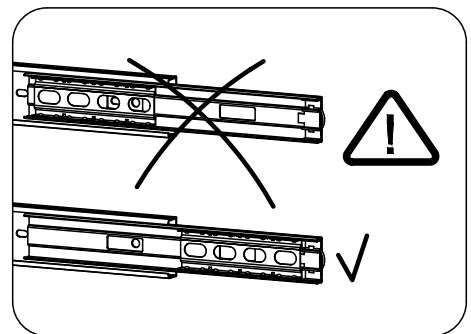
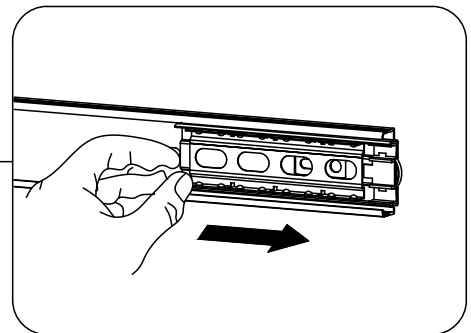
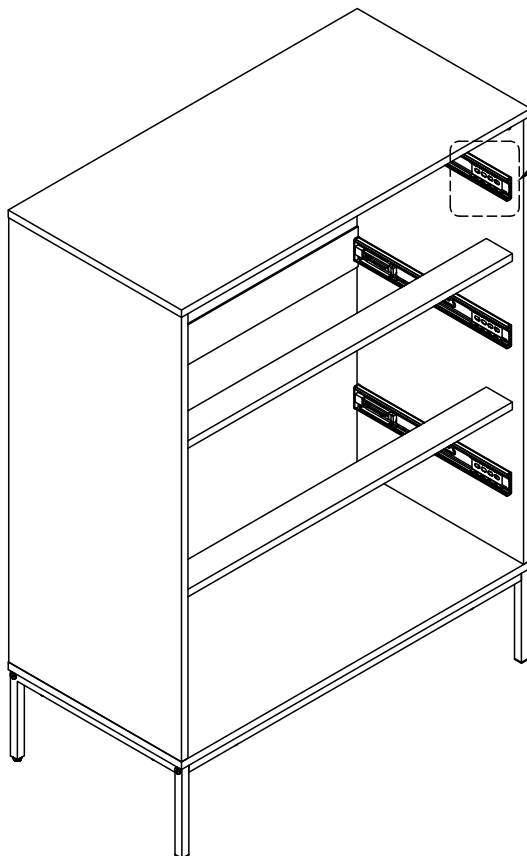
26



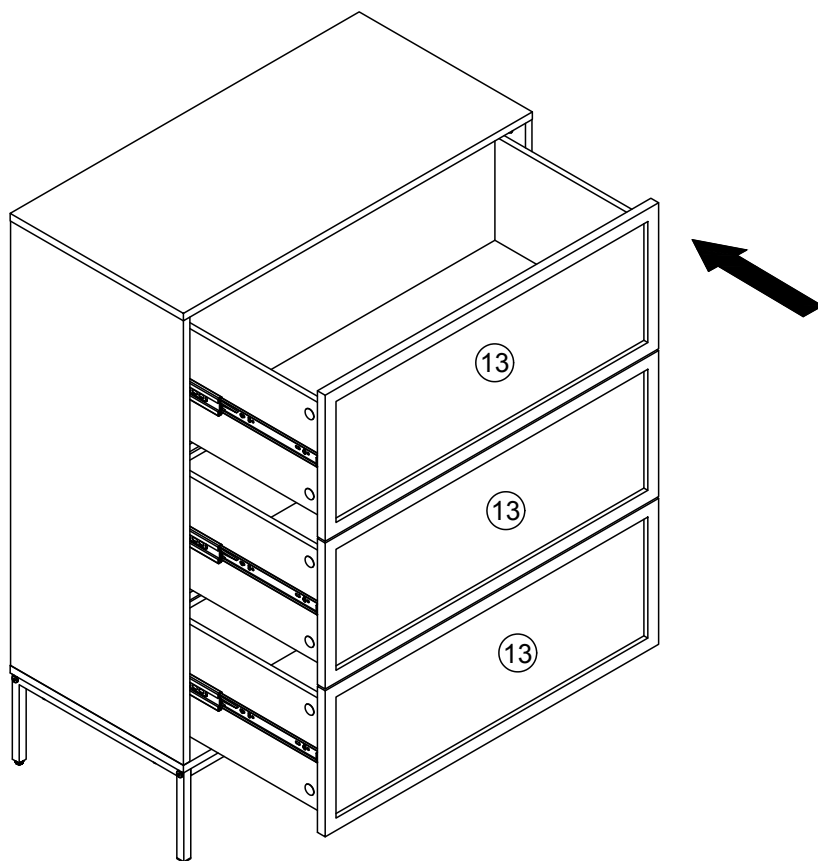
27



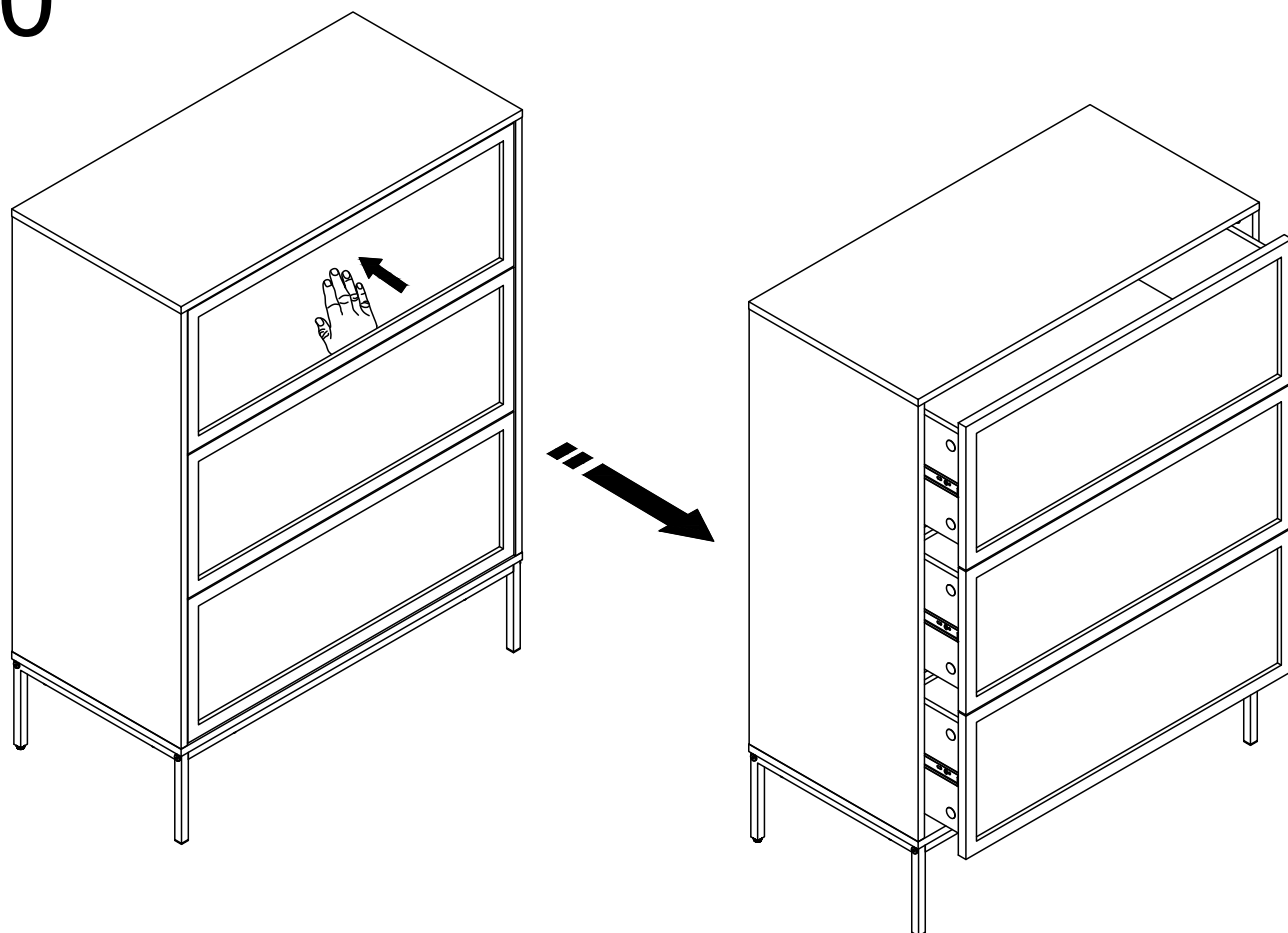
28



29



30



31

